

SUN2000-330KTL-H1

Smart String Inverter



Max. Efficiency
≥99.0%



Smart Self Clean Fan



Smart DC Connector
Temperature Detect



Smart String Level
Disconnection



28 High Accuracy String
Current Detect



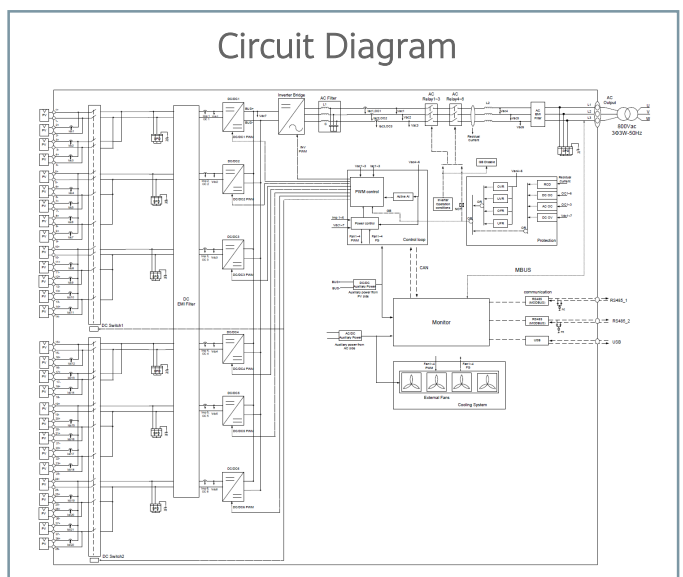
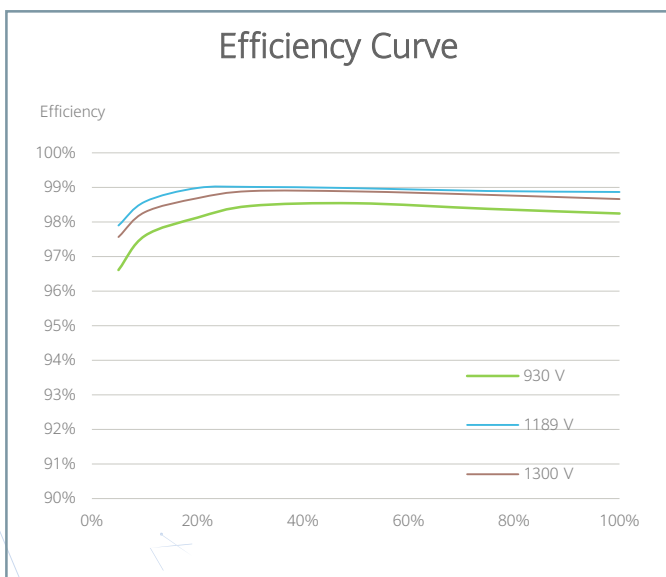
Support IV diagnosis



IP 66 protection



Surge Arresters for
DC & AC



Technical Specifications

Efficiency	
Max. Efficiency	≥99.0%
European Efficiency	≥98.8%
Input	
Max. Input Voltage	1,500 V
Number of MPP Trackers	6
Max. Current per MPPT	65 A
Max. Short Circuit Current per MPPT	115 A
Max. PV Inputs per MPPT	4/5/5/4/5/5
Start Voltage	550 V
MPPT Operating Voltage Range	500 V ~ 1,500 V
Nominal Input Voltage	1,080 V
Output	
Nominal AC Active Power	300,000 W
Max. AC Apparent Power	330,000 VA
Max. AC Active Power (cosφ=1)	330,000 W
Nominal Output Voltage	800 V, 3W + PE
Rated AC Grid Frequency	50 Hz / 60 Hz
Nominal Output Current	216.6 A
Max. Output Current	238.2 A
Adjustable Power Factor Range	0.8 LG ... 0.8 LD
Total Harmonic Distortion	< 1%
Protection	
Smart String-Level Disconnect(SSLD)	Yes
Anti-islanding Protection	Yes
AC Overcurrent Protection	Yes
DC Reverse-polarity Protection	Yes
PV-array String Fault Monitoring	Yes
DC Surge Arrester	Type II
AC Surge Arrester	Type II
DC Insulation Resistance Detection	Yes
AC Grounding Fault Protection	Yes
Residual Current Monitoring Unit	Yes
Communication	
Display	LED Indicators, WLAN + APP
USB	Yes
MBUS	Yes
RS485	Yes
General	
Dimensions (W x H x D)	1,048 x 732 x 395 mm
Weight (with mounting plate)	≤112 kg
Operating Temperature Range	-25 °C ~ 60 °C
Cooling Method	Smart Air Cooling
Max. Operating Altitude without Derating	4,000 m (13,123 ft.)
Relative Humidity	0 ~ 100%
AC Connector	Waterproof Connector + OT/DT Terminal
Protection Degree	IP 66
Topology	Transformerless