

## DDSU666 series

single phase electronic energy meter(DIN-Rail)



### 1. General

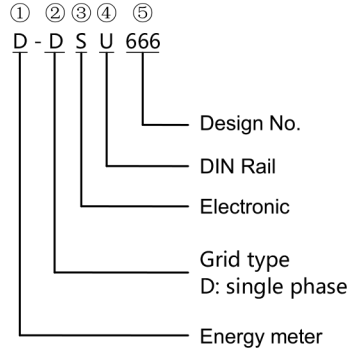
DDSU666 series electronic energy meter adopts DIN35 standard guide rail installation design, has the measurement of active energy and electric parameters. It is widely applied into the internal energy assessment and monitoring for industrial and mining enterprises, hotels, schools and large public buildings.

### 2. Main functions and characteristic

- ◆ DIN35mm standard DIN-Rail mount, with segment LCD display;
- ◆ Measuring function: it is characterized with measurement for active energy and voltage, current, frequency, power, power factor, etc.

### 3 Model composition and the representative meanings:

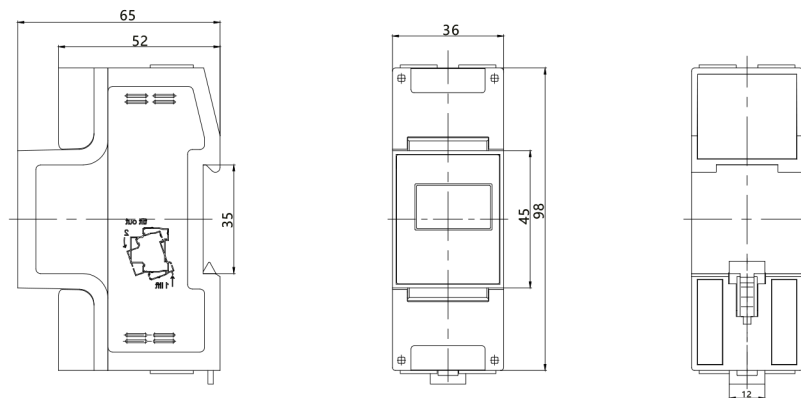
The model is composed of five parts, when ordering, Part ①~Part ⑤ are required, and others can be determined according to their needs.



### 4 Technical parameters:

| Item                      | Index   |
|---------------------------|---|
| Reference voltage         | 220V  |
| Current specification     | Via CT: AC1.6(6)A<br>Direct input: AC5(80)A   |
| Reference frequency       | 50Hz  |
| Display method            | Segment LCD   |
| Accuracy class            | Class 1   |
| Voltage range             | Specified working voltage range: 0.9Un~1.1Un;<br>extended working voltage range: 0.7Un~1.2Un      |
| Working temperature range | Specified working temperature range:-25°C~+55°C;<br>limited working temperature range:-40°C~+70°C |
| Power consumption         | Voltage loop: ≤1W/5VA; current loop: ≤2VA   |

### 5 External and installation size

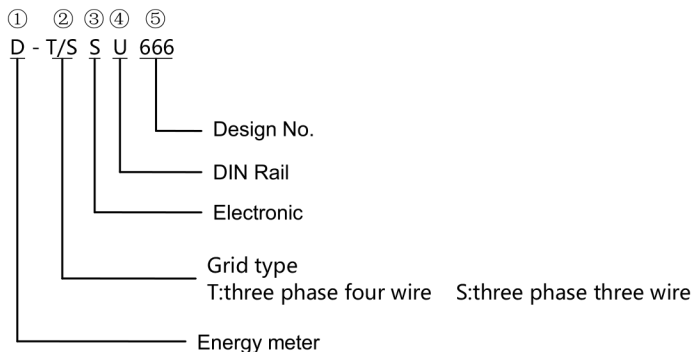


## 2. Main functions and characteristic

- ◆ DIN35mm standard DIN-Rail mount, with segment LCD display;
- ◆ Measuring function: it is characterized with measurement for active/reactive energy, voltage, current, frequency, power, power factor, etc. electrical

## 3 Model composition and the representative meanings:

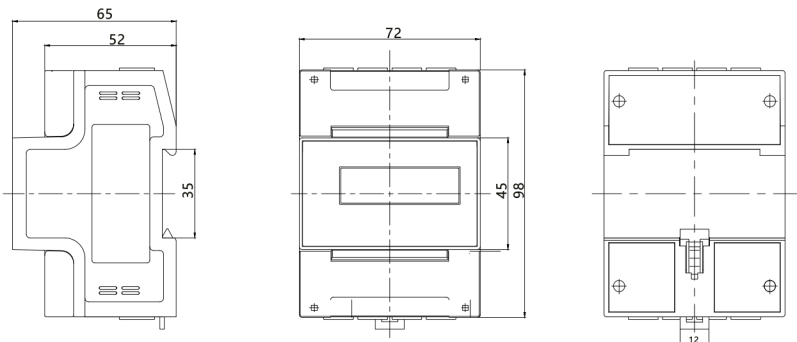
The model is composed of five parts, when ordering, Part ①~Part ⑤ are required, and others can be determined according to their needs.



## 4 Technical parameters:

| Item                      | Index   |
|---------------------------|---|
| Reference voltage         | 3×220V/380V, 3×57.7/100V, 3×380V, 3×100V  |
| Current specification     | Via CT: AC3×1.6(6)A<br>Direct input: AC3×5(80)A   |
| Reference frequency       | 50Hz  |
| Display method            | Segment LCD   |
| Accuracy class            | Active: Class 1, Reactive: Class 2  |
| Voltage range             | Specified working voltage range: 0.9Un~1.1Un;<br>extended working voltage range: 0.7Un~1.2Un      |
| Working temperature range | Specified working temperature range:-25°C~+55°C;<br>limited working temperature range:-40°C~+70°C |
| Power consumption         | Voltage loop: ≤1W/5VA(each phase); current loop: ≤2VA(each phase)                                 |

## 5 External and installation size



# DT/SSU666

series three phase electronic energy meter(DIN-Rail)



## 1. General

DT/SSU666 series electronic energy meter (DIN-Rail) adopts DIN35mm standard DIN-Rail mount; It is characterized with measurement for three phase four wire/three phase three wire active, reactive energy and electrical parameters; It is widely applied into the internal energy assessment and monitoring for industrial and mining enterprises, hotels, schools and large public buildings.